

Industrial Batteries / Network Power

Classic OPzS

»Proven high reliability  
energy storage for  
critical applications«



## Industrial Batteries

### The powerful range of Network Power

Energy storage solutions for critical systems that require uninterrupted power supply. GNB® Industrial Power offers powerful batteries for your individual needs. The below table is only indicative and depends on customers' specific applications. For more information please ask a GNB sales representative.

Applica-tions	Battery ranges																			
	Sonnenschein							Marathon		Sprinter			Absolyte	Powerfit	Classic					
	A400/A600	A400 FT	A500	A700	SOLAR	RAIL	Power Cycle	M - FT	M/L/ XL	S	P/XP	XP - FT	GP/GX	S300	GRoE	OCSM	OPzS	Energy Bloc/OGi	Solar	rail
Telecom	●	●	●	●			●	●	●	●	●	●				●	●	●		
UPS		●	●	●			●	●	●	●	●	●				●		●		
Emergency lighting	●		●					●		●	●		●	●			●	●		
Security	●		●	●						●	●			●		●	●			
Utility	●	●		●			●	●	●	●	●	●			●	●	●	●		
Railways	●	●	●	●		●	●	●	●	●	●	●				●	●	●		●
Photovoltaic					●		●					●							●	
Universal	●	●	●	●			●	●	●	●	●	●	●	●		●	●	●		

### The GNB Network Power brand overview



- > VRLA batteries (Valve Regulated Lead Acid) in which the electrolyte is fixed in an absorbent glass mat (AGM)
- > Excellent high current capability
- > Very economical
- > Maintenance-free (no topping up)



- > VRLA batteries (Valve Regulated Lead Acid) in which the electrolyte is fixed in a gel (dryfit technology)
- > Inventor of Gel technology
- > Highest reliability, even in non-optimal conditions
- > Particularly suitable for cyclic applications
- > Maintenance-free (no topping up)



- > Conventional lead-acid batteries with liquid electrolyte
- > Extreme reliability, proven over decades
- > Low maintenance



Further information about service is available on page 14

## Classic OPzS

Developed from experience – produced for safe power supply

Classic OPzS batteries have been proven energy suppliers for decades, which convince in robustness, reliability and extremely long design- or cycle life.

### Your benefits:

- > **Optimised plate design** – increased capacities compared to standard DIN OPzS
- > **Tubular plates in block and single cell version** – most robust design
- > **Excellent standby and cycling behaviour** – long life
- > **Completely recyclable** – low CO<sub>2</sub> footprint



### Specifications:

- > Very high operational reliability under rough operating conditions
- > Low maintenance due to optimised alloy and large electrolyte reserve
- > Nominal capacity 50 – 3350 Ah C<sub>10</sub>; up to 12000 Ah on request
- > 20 years design life at 20 °C ambient temperature (80 % remaining capacity from C<sub>10</sub>)
- > Container made from high quality transparent or translucent plastics
- > Also available in dry charged condition with separate electrolyte
- > Low gassing (EN 50272-2) thanks to low antimony alloy: < 2% for cells; < 3% for blocks
- > Conforms to DIN 40736 and DIN 40 737 T3
- > Electrolyte: diluted sulphuric acid d<sub>N</sub> = 1.24 kg/l
- > Manufactured in Europe in our ISO 9001 certified production plants



20 years design life



Nominal capacity  
50.0 – 3350 Ah  
(up to 12000 Ah on request)



Block battery / Single cell



Tubular plate



Recyclable



Low maintenance

## Classic OPzS

### Technical data

#### Technical characteristics and data

Type acc. DIN 40 737 T3 blocks 40 736 T1 cells	Part number	Nom. voltage	Nominal capacity $C_{10}$ 1.80 $V_{pc}$ 20 °C	Length (l)	Width (b/w)	Height* (h1)	Installed length (B/L)	Weight incl. acid	Weight acid**	Internal resistance	Short circuit current	Terminal	Pole pairs
		V	Ah	max. mm	max. mm	max. mm	mm	approx. kg	approx. kg	mOhm	A		
6V 4 OPzS 200 LA	NVZS060200WC0FB	6	200	272	206	347	282	41.0	13.0	2.68	2283	F-M8	1
6V 5 OPzS 250 LA	NVZS060250WC0FB	6	250	380	206	347	392	56.0	20.0	2.39	2800	F-M8	1
6V 6 OPzS 300 LA	NVZS060300WC0FB	6	300	380	206	347	392	63.0	20.0	1.96	3106	F-M8	1
12V 1 OPzS 50 LA	NVZS120050WC0FB	12	50.0	272	206	347	282	34.0	15.0	18.1	688	F-M8	1
12V 2 OPzS 100 LA	NVZS120100WC0FB	12	100	272	206	347	282	43.0	14.0	9.26	1314	F-M8	1
12V 3 OPzS 150 LA	NVZS120150WC0FB	12	150	380	206	347	392	64.0	19.0	6.46	1884	F-M8	1
2 OPzS 100 LA	NVZS020100WC0FA	2	125	105	208	395	115	13.7	5.20	1.45	1400	F-M8	1
3 OPzS 150 LA	NVZS020150WC0FA	2	165	105	208	395	115	15.2	5.00	1.05	1950	F-M8	1
4 OPzS 200 LA	NVZS020200WC0FA	2	210	105	208	395	115	16.6	4.60	0.83	2450	F-M8	1
5 OPzS 250 LA	NVZS020250WC0FA	2	260	126	208	395	136	20.0	5.80	0.72	2850	F-M8	1
6 OPzS 300 LA	NVZS020300WC0FA	2	310	147	208	395	157	23.3	6.90	0.63	3250	F-M8	1
5 OPzS 350 LA	NVZS020350WC0FA	2	380	126	208	511	136	26.7	8.10	0.63	3250	F-M8	1
6 OPzS 420 LA	NVZS020420WC0FA	2	455	147	208	511	157	31.0	9.30	0.56	3650	F-M8	1
7 OPzS 490 LA	NVZS020490WC0FA	2	530	168	208	511	178	35.4	10.8	0.50	4100	F-M8	1
6 OPzS 600 LA	NVZS020600WC0FA	2	680	147	208	686	157	43.9	13.0	0.47	4350	F-M8	1
7 OPzS 700 LA	NVZS020700WC0FA	2	750	147	208	686	157	47.2	12.8	0.43	4800	F-M8	1
8 OPzS 800 LA	NVZS020800WC0FA	2	910	212	193	686	222	59.9	17.1	0.30	6800	F-M8	2
9 OPzS 900 LA	NVZS020900WC0FA	2	980	212	193	686	222	63.4	16.8	0.27	7500	F-M8	2
10 OPzS 1000 LA	NVZS021000WC0FA	2	1140	212	235	686	222	73.2	21.7	0.26	7900	F-M8	2
12 OPzS 1200 LA	NVZS021200WC0FA	2	1370	212	277	686	222	86.4	26.1	0.23	8900	F-M8	2
12 OPzS 1500 LA	NVZS021500WC0FA	2	1700	212	277	836	222	108	33.7	0.24	8500	F-M8	2
14 OPzS 1750 LA	NVZS021750WC0FA	2	1800	212	277	836	222	114	32.7	0.22	9300	F-M8	2
16 OPzS 2000 LA	NVZS022000WC0FA	2	2250	215	400	812	225	151	50.0	0.16	12800	F-M8	3
18 OPzS 2250 LA	NVZS022250WC0FA	2	2450	215	400	812	225	158	48.0	0.14	14600	F-M8	3
20 OPzS 2500 LA	NVZS022500WC0FA	2	2800	215	490	812	225	184	60.0	0.12	17000	F-M8	4
22 OPzS 2750 LA	NVZS022750WC0FA	2	3000	215	490	812	225	191	58.0	0.11	17800	F-M8	4
24 OPzS 3000 LA	NVZS023000WC0FA	2	3350	215	580	812	225	217	71.0	0.11	18600	F-M8	4

\* Includes installed connector, the above mentioned height can differ depending on the used vent(s)

\*\* Acid density  $d_{40}$  = 1.24 kg/l

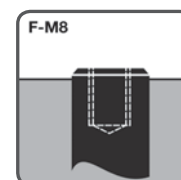
#### Container, terminal and torque

> **Container:** PP blocks  
SAN (Styrene acrylonitrile) cells

Data are also valid for dry charged version.  
Change »W« (wet) to »D« (dry) in the part number. E.g.:

> **filled and charged:** NVZS120050 W C0FB

> **dry charged:** NVZS120050 D C0FB

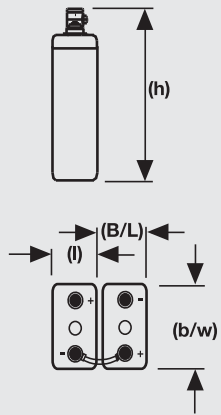


12 Nm for blocks;  
20 Nm for cells

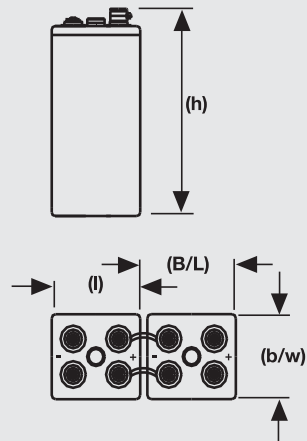
# Classic OPzS

## Drawings

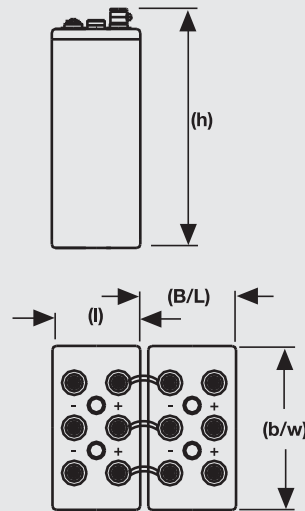
2 OPzS 100 LA -  
7 OPzS 700 LA



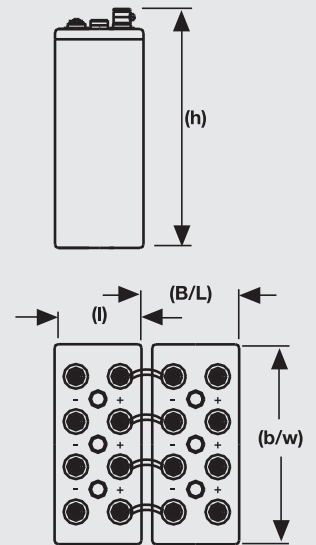
8 OPzS 800 LA -  
14 OPzS 1750 LA



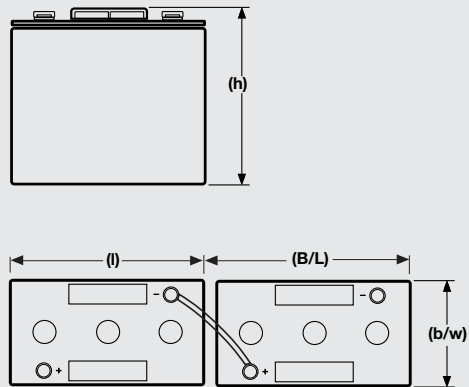
16 OPzS 2000 LA -  
1 OPzS 2250 LA



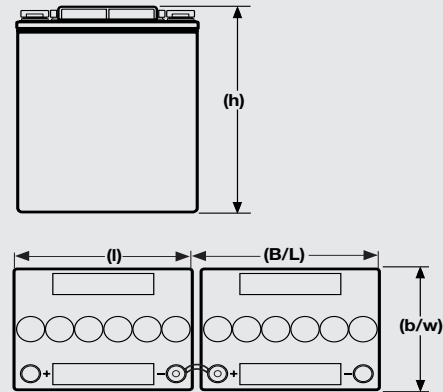
20 OPzS 2500 LA -  
24 OPzS 3000 LA



6V 4 OPzS 200 LA -  
6V 6 OPzS 300 LA



12V 1 OPzS 50 LA -  
12V 3 OPzS 150 LA



Not to scale!

## Classic OPzS

### Constant current discharge · OPzS blocks

#### 1.90 Vpc – Discharge in A at 20 °C

Type	Part number	5 min	10 min	15 min	30 min	1 h	2 h	3 h	4 h	5 h	6 h	8 h	10 h
6V 4 OPzS 200 LA	NVZS060200WC0FB	120	105	96.0	85.0	62.0	46.0	35.3	30.0	26.7	24.1	19.8	16.1
6V 5 OPzS 250 LA	NVZS060250WC0FB	145	132	122	102	70.0	56.0	43.5	34.0	32.0	29.0	25.2	21.7
6V 6 OPzS 300 LA	NVZS060300WC0FB	160	147	136	118	91.0	66.0	53.0	45.3	39.0	34.0	28.0	24.5
12V 1 OPzS 50 LA	NVZS120050WC0FB	32.0	29.0	25.0	21.3	16.1	11.7	9.70	8.20	7.00	6.30	5.60	5.00
12V 2 OPzS 100 LA	NVZS120100WC0FB	66.5	58.0	52.2	41.5	31.5	24.5	17.4	15.0	13.7	12.5	10.6	8.90
12V 3 OPzS 150 LA	NVZS120150WC0FB	99.0	84.0	76.0	64.0	47.2	34.1	26.4	22.3	19.7	17.7	14.6	12.0

#### 1.87 Vpc – Discharge in A at 20 °C

Type	Part number	5 min	10 min	15 min	30 min	1 h	2 h	3 h	4 h	5 h	6 h	8 h	10 h
6V 4 OPzS 200 LA	NVZS060200WC0FB	150	132	120	100	72.4	52.0	40.0	33.2	29.4	26.8	22.2	18.0
6V 5 OPzS 250 LA	NVZS060250WC0FB	180	161	140	118	88.7	63.2	50.0	42.0	36.7	33.4	28.1	23.3
6V 6 OPzS 300 LA	NVZS060300WC0FB	195	176	160	135	104	76.5	59.2	51.0	44.0	38.0	32.0	27.0
12V 1 OPzS 50 LA	NVZS120050WC0FB	40.0	35.0	31.0	25.5	19.4	13.6	11.2	9.30	8.20	7.20	6.00	5.50
12V 2 OPzS 100 LA	NVZS120100WC0FB	80.0	70.0	62.0	50.0	37.9	27.2	19.9	16.9	15.2	13.7	11.5	9.50
12V 3 OPzS 150 LA	NVZS120150WC0FB	120	102	90.0	75.0	55.0	39.5	30.0	25.4	22.0	19.8	16.4	13.8

#### 1.85 Vpc – Discharge in A at 20 °C

Type	Part number	5 min	10 min	15 min	30 min	1 h	2 h	3 h	4 h	5 h	6 h	8 h	10 h
6V 4 OPzS 200 LA	NVZS060200WC0FB	162	145	135	110	78.7	55.5	42.2	35.0	30.8	28.1	23.3	18.7
6V 5 OPzS 250 LA	NVZS060250WC0FB	193	175	155	126	93.4	67.0	52.5	44.5	38.2	35.1	29.3	23.7
6V 6 OPzS 300 LA	NVZS060300WC0FB	216	195	177	147	113.5	79.0	62.0	54.0	46.0	40.5	33.7	28.0
12V 1 OPzS 50 LA	NVZS120050WC0FB	44.0	39.0	35.0	28.2	21.0	14.2	11.7	9.80	8.50	7.50	6.30	5.60
12V 2 OPzS 100 LA	NVZS120100WC0FB	87.5	78.0	69.5	55.0	41.0	28.8	21.4	17.8	15.6	14.3	11.8	9.70
12V 3 OPzS 150 LA	NVZS120150WC0FB	130	112	102.5	81.0	59.8	42.0	31.5	27.1	23.0	20.7	17.1	14.2

#### 1.83 Vpc – Discharge in A at 20 °C

Type	Part number	5 min	10 min	15 min	30 min	1 h	2 h	3 h	4 h	5 h	6 h	8 h	10 h
6V 4 OPzS 200 LA	NVZS060200WC0FB	175	158	150	120	85.0	59.1	44.5	36.7	32.3	29.2	24.0	19.5
6V 5 OPzS 250 LA	NVZS060250WC0FB	207	190	171	135	102	71.4	55.0	46.5	40.3	36.3	30.2	24.5
6V 6 OPzS 300 LA	NVZS060300WC0FB	237	213	195	160	123	85.7	66.3	56.5	48.3	42.5	34.8	29.0
12V 1 OPzS 50 LA	NVZS120050WC0FB	48.0	43.0	39.0	31.0	22.8	15.3	12.2	10.2	8.80	7.80	6.50	5.80
12V 2 OPzS 100 LA	NVZS120100WC0FB	95.0	85.0	77.0	60.0	44.0	30.6	22.8	18.6	16.1	14.6	12.1	10.0
12V 3 OPzS 150 LA	NVZS120150WC0FB	140	122	115	87.0	64.6	44.4	33.4	28.3	24.1	21.6	17.9	14.6

#### 1.80 Vpc – Discharge in A at 20 °C

Type	Part number	5 min	10 min	15 min	30 min	1 h	2 h	3 h	4 h	5 h	6 h	8 h	10 h
6V 4 OPzS 200 LA	NVZS060200WC0FB	205	178	160	130	92.0	61.3	47.5	38.5	34.9	30.4	25.0	20.3
6V 5 OPzS 250 LA	NVZS060250WC0FB	240	212	190	150	110	74.5	59.2	49.0	42.8	37.8	31.2	25.5
6V 6 OPzS 300 LA	NVZS060300WC0FB	260	240	218	177	135	89.3	70.4	59.5	51.0	44.5	35.8	30.3
12V 1 OPzS 50 LA	NVZS120050WC0FB	57.0	49.0	44.0	34.0	25.2	17.1	13.5	11.0	9.50	8.20	6.90	5.90
12V 2 OPzS 100 LA	NVZS120100WC0FB	110	96.0	85.0	66.0	49.0	32.3	24.1	19.6	17.1	15.4	12.5	10.1
12V 3 OPzS 150 LA	NVZS120150WC0FB	160	135	120	95.0	70.4	47.1	36.0	29.8	25.7	22.7	18.6	15.0

## Classic OPzS

### Constant current discharge · OPzS blocks

#### 1.75 Vpc – Discharge in A at 20 °C

Type	Part number	5 min	10 min	15 min	30 min	1 h	2 h	3 h	4 h	5 h	6 h	8 h	10 h
6V 4 OPzS 200 LA	NVZS060200WC0FB	235	206	185	140	97.9	66.0	50.0	40.5	35.8	31.2	25.7	20.4
6V 5 OPzS 250 LA	NVZS060250WC0FB	285	250	220	165	120	81.0	62.0	51.0	44.0	39.1	32.3	26.1
6V 6 OPzS 300 LA	NVZS060300WC0FB	340	295	260	200	143	98.3	74.5	62.0	52.5	45.8	36.8	30.6
12V 1 OPzS 50 LA	NVZS120050WC0FB	65.0	56.0	48.0	36.0	26.5	18.4	14.0	11.6	9.80	8.60	7.20	6.20
12V 2 OPzS 100 LA	NVZS120100WC0FB	125	109	95.0	71.0	51.3	34.0	25.9	20.8	18.2	16.2	13.0	10.2
12V 3 OPzS 150 LA	NVZS120150WC0FB	185	155	136	102	73.4	50.0	37.5	31.2	27.0	24.0	19.4	15.3

#### 1.70 Vpc – Discharge in A at 20 °C

Type	Part number	5 min	10 min	15 min	30 min	1 h	2 h	3 h	4 h	5 h	6 h	8 h	10 h
6V 4 OPzS 200 LA	NVZS060200WC0FB	270	232	208	155	108	68.0	51.6	41.5	37.5	31.7	26.0	20.8
6V 5 OPzS 250 LA	NVZS060250WC0FB	340	287	255	183	131	84.0	63.5	52.3	45.0	40.1	33.0	26.5
6V 6 OPzS 300 LA	NVZS060300WC0FB	380	333	295	220	159	103	77.0	63.6	53.5	46.4	37.3	31.2
12V 1 OPzS 50 LA	NVZS120050WC0FB	75.0	62.0	54.0	39.0	27.3	18.5	14.4	11.8	10.0	8.70	7.30	6.30
12V 2 OPzS 100 LA	NVZS120100WC0FB	145	122	106	78.0	54.0	35.0	26.7	21.3	18.8	16.6	13.3	10.4
12V 3 OPzS 150 LA	NVZS120150WC0FB	210	174	155	115	79.3	52.0	38.6	32.0	28.2	24.8	19.9	15.6

#### 1.67 Vpc – Discharge in A at 20 °C

Type	Part number	5 min	10 min	15 min	30 min	1 h	2 h	3 h	4 h	5 h	6 h	8 h	10 h
6V 4 OPzS 200 LA	NVZS060200WC0FB	293	247	219	160	111	68.5	52.5	41.8	36.1	32.0	26.1	21.0
6V 5 OPzS 250 LA	NVZS060250WC0FB	362	307	268	193	133	84.5	63.9	52.6	45.6	40.5	33.3	26.6
6V 6 OPzS 300 LA	NVZS060300WC0FB	417	355	315	231	163	105	78.0	64.1	54.0	46.6	37.5	31.3
12V 1 OPzS 50 LA	NVZS120050WC0FB	80.0	66.0	56.0	40.0	27.7	18.7	14.5	11.9	10.0	8.80	7.30	6.30
12V 2 OPzS 100 LA	NVZS120100WC0FB	156	130	111	81.0	55.0	35.3	26.8	21.6	18.9	16.8	13.4	10.4
12V 3 OPzS 150 LA	NVZS120150WC0FB	229	186	163	118	82.0	52.6	39.0	32.2	28.5	25.2	20.1	15.7

#### 1.65 Vpc – Discharge in A at 20 °C

Type	Part number	5 min	10 min	15 min	30 min	1 h	2 h	3 h	4 h	5 h	6 h	8 h	10 h
6V 4 OPzS 200 LA	NVZS060200WC0FB	307	258	226	163	113	69.0	52.9	42.0	36.2	32.2	26.2	21.0
6V 5 OPzS 250 LA	NVZS060250WC0FB	380	320	278	189	135	85.0	64.1	52.8	46.0	40.8	33.4	26.6
6V 6 OPzS 300 LA	NVZS060300WC0FB	435	369	326	237	165	106	78.5	64.4	54.2	46.8	37.6	31.3
12V 1 OPzS 50 LA	NVZS120050WC0FB	83.0	68.0	58.0	41.0	27.9	18.8	14.5	11.9	10.0	8.80	7.30	6.30
12V 2 OPzS 100 LA	NVZS120100WC0FB	162	135	115	83.0	55.5	35.5	26.9	21.7	19.0	16.9	13.5	10.4
12V 3 OPzS 150 LA	NVZS120150WC0FB	240	193	168	120	83.0	53.0	39.2	32.4	28.6	25.5	20.2	15.7

## Classic OPzS

### Constant current discharge · OPzS cells

#### 1.90 Vpc – Discharge in A at 20 °C

Type	Part number	3 min	10 min	15 min	20 min	30 min	1 h	1.5 h	2 h	3 h	4h	5 h	8 h	10 h	20 h
2 OPzS 100	NVZS020100WCOFA	65.9	65.9	63.1	59.3	55.8	45.6	38.5	33.1	26.1	21.6	18.7	13.4	10.9	6.00
3 OPzS 150	NVZS020150WCOFA	85.3	85.3	81.7	76.7	72.3	59.1	49.8	43.2	34.2	28.4	24.4	17.7	14.4	7.90
4 OPzS 200	NVZS020200WCOFA	109	109	104	97.7	92.0	75.2	63.4	55.0	43.5	36.1	31.1	22.5	18.3	10.1
5 OPzS 250	NVZS020250WCOFA	131	131	125	118	112	91.7	77.7	67.8	53.3	44.3	38.3	27.7	22.6	12.5
6 OPzS 300	NVZS020300WCOFA	151	151	145	137	130	108	91.7	80.4	62.9	52.3	45.4	32.8	27.0	14.9
5 OPzS 350	NVZS020350WCOFA	152	152	147	144	133	115	101	88.3	73.0	61.1	53.2	38.8	32.3	18.2
6 OPzS 420	NVZS020420WCOFA	175	175	169	166	155	134	118	105	87.4	73.1	63.7	46.4	38.7	21.8
7 OPzS 490	NVZS020490WCOFA	200	200	193	190	177	153	136	121	102	85.3	74.2	54.1	45.1	25.4
6 OPzS 600	NVZS020600WCOFA	228	228	223	215	201	175	156	141	117	101	91.1	68.0	57.8	32.6
7 OPzS 700	NVZS020700WCOFA	251	251	246	237	221	193	172	156	129	112	101	75.0	63.8	36.0
8 OPzS 800	NVZS020800WCOFA	322	322	311	305	282	248	217	194	159	138	124	91.0	77.4	43.7
9 OPzS 900	NVZS020900WCOFA	347	347	335	328	304	268	233	209	172	149	133	98.0	83.3	47.0
10 OPzS 1000	NVZS021000WCOFA	393	393	382	371	345	302	266	240	198	172	154	114	96.9	54.7
12 OPzS 1200	NVZS021200WCOFA	459	459	449	433	404	352	314	285	236	205	184	137	116	65.8
12 OPzS 1500	NVZS021500WCOFA	408	408	402	394	382	343	320	297	257	228	207	156	136	72.1
14 OPzS 1750	NVZS021750WCOFA	432	432	426	428	405	364	338	315	272	241	220	166	144	76.3
16 OPzS 2000	NVZS022000WCOFA	589	589	576	562	540	474	436	401	340	302	274	207	180	95.4
18 OPzS 2250	NVZS022250WCOFA	617	617	605	591	568	504	466	429	370	328	299	225	196	104
20 OPzS 2500	NVZS022500WCOFA	732	732	716	700	672	596	542	498	423	375	342	258	224	119
22 OPzS 2750	NVZS022750WCOFA	785	785	767	750	720	632	581	534	453	402	366	276	240	127
24 OPzS 3000	NVZS023000WCOFA	844	844	828	808	777	689	636	586	506	449	409	308	268	142

#### 1.87 Vpc – Discharge in A at 20 °C

Type	Part number	3 min	10 min	15 min	20 min	30 min	1 h	1.5 h	2 h	3 h	4h	5 h	8 h	10 h	20 h
2 OPzS 100	NVZS020100WCOFA	82.4	81.1	76.0	71.5	65.2	51.2	42.7	36.3	28.6	23.4	20.0	14.1	11.7	6.30
3 OPzS 150	NVZS020150WCOFA	106	105	98.5	91.6	83.4	66.2	55.3	47.5	37.3	30.6	26.2	18.6	15.4	8.40
4 OPzS 200	NVZS020200WCOFA	135	134	125	118	107	84.3	70.4	60.4	47.5	39.0	33.3	23.7	19.7	10.6
5 OPzS 250	NVZS020250WCOFA	163	161	151	142	130	103	86.3	74.5	58.2	47.9	41.1	29.2	24.3	13.2
6 OPzS 300	NVZS020300WCOFA	189	186	175	166	152	121	102	88.4	68.7	56.5	48.7	34.7	29.0	15.7
5 OPzS 350	NVZS020350WCOFA	190	187	180	174	160	135	115	99.8	79.8	66.5	57.8	41.7	34.8	19.3
6 OPzS 420	NVZS020420WCOFA	216	214	207	201	186	157	135	118	95.6	79.7	69.2	50.0	41.7	23.1
7 OPzS 490	NVZS020490WCOFA	247	245	236	229	213	179	156	136	111	92.5	80.6	58.2	48.5	26.9
6 OPzS 600	NVZS020600WCOFA	279	277	267	257	239	207	181	163	131	111	98.5	72.9	62.3	34.5
7 OPzS 700	NVZS020700WCOFA	307	305	295	284	264	228	200	179	144	123	109	80.4	68.7	38.0
8 OPzS 800	NVZS020800WCOFA	403	396	378	365	337	290	252	222	178	152	134	98.1	83.4	46.1
9 OPzS 900	NVZS020900WCOFA	430	427	407	393	363	312	271	239	192	164	144	106	89.8	49.7
10 OPzS 1000	NVZS021000WCOFA	484	480	461	444	412	355	309	276	221	188	167	123	104	57.8
12 OPzS 1200	NVZS021200WCOFA	562	558	538	518	482	416	365	328	264	225	198	147	125	69.5
12 OPzS 1500	NVZS021500WCOFA	522	521	511	498	479	419	385	352	297	257	230	173	148	79.8
14 OPzS 1750	NVZS021750WCOFA	553	552	541	532	508	444	408	372	314	272	245	183	157	84.5
16 OPzS 2000	NVZS022000WCOFA	754	752	731	712	676	578	525	473	392	339	305	229	196	105
18 OPzS 2250	NVZS022250WCOFA	791	789	769	748	712	615	561	507	427	370	333	249	213	115
20 OPzS 2500	NVZS022500WCOFA	937	936	910	885	779	720	654	589	488	423	380	284	244	132
22 OPzS 2750	NVZS022750WCOFA	1005	1005	976	949	903	771	700	631	523	453	407	305	262	141
24 OPzS 3000	NVZS023000WCOFA	1080	1075	1050	1020	972	841	766	693	584	506	455	340	292	157



## Classic OPzS

### Constant current discharge · OPzS cells

#### 1.85 Vpc – Discharge in A at 20 °C

Type	Part number	3 min	10 min	15 min	20 min	30 min	1 h	1.5 h	2 h	3 h	4h	5 h	8 h	10 h	20 h
2 OPzS 100	NVZS020100WCOFA	93.4	91.2	84.5	79.7	71.4	54.8	45.5	38.5	30.2	24.6	21.0	14.6	12.3	6.60
3 OPzS 150	NVZS020150WCOFA	121	118	110	101	90.8	71.0	58.9	50.3	39.4	32.2	27.4	19.3	16.2	8.70
4 OPzS 200	NVZS020200WCOFA	153	150	139	131	118	90.3	75.0	64.1	50.2	41.0	34.9	24.6	20.6	11.0
5 OPzS 250	NVZS020250WCOFA	185	181	168	159	143	110	92.0	79.0	61.5	50.3	42.9	30.3	25.5	13.7
6 OPzS 300	NVZS020300WCOFA	215	210	195	185	167	130	109	93.7	72.6	59.4	50.9	35.9	30.4	16.3
5 OPzS 350	NVZS020350WCOFA	215	211	202	194	178	148	124	107	84.4	70.2	60.8	43.7	36.5	20.0
6 OPzS 420	NVZS020420WCOFA	244	240	232	224	207	172	146	127	101	84.0	72.8	52.3	43.7	23.9
7 OPzS 490	NVZS020490WCOFA	279	274	265	256	237	196	168	147	118	98.1	84.8	61.0	50.9	27.8
6 OPzS 600	NVZS020600WCOFA	313	309	296	286	265	228	198	177	140	118	103	76.2	65.3	35.7
7 OPzS 700	NVZS020700WCOFA	345	341	327	315	293	251	218	195	155	130	114	84.0	72.0	39.4
8 OPzS 800	NVZS020800WCOFA	457	446	422	405	373	318	275	241	191	161	141	103	87.4	47.8
9 OPzS 900	NVZS020900WCOFA	486	480	455	436	402	342	296	260	206	173	152	111	94.1	51.5
10 OPzS 1000	NVZS021000WCOFA	546	539	513	493	456	390	338	299	237	199	175	128	109	59.9
12 OPzS 1200	NVZS021200WCOFA	631	623	597	575	534	459	399	356	282	237	208	153	132	71.9
12 OPzS 1500	NVZS021500WCOFA	599	596	583	568	544	469	428	388	323	277	246	184	156	85.0
14 OPzS 1750	NVZS021750WCOFA	635	632	617	602	576	497	454	410	342	293	261	194	166	90.0
16 OPzS 2000	NVZS022000WCOFA	865	861	835	811	768	648	585	522	427	366	326	243	207	112
18 OPzS 2250	NVZS022250WCOFA	908	903	878	853	808	688	623	559	465	399	355	265	225	122
20 OPzS 2500	NVZS022500WCOFA	1075	1070	1040	1010	956	806	728	649	532	456	406	302	258	140
22 OPzS 2750	NVZS022750WCOFA	1155	1150	1115	1080	1025	864	779	695	570	489	435	324	276	150
24 OPzS 3000	NVZS023000WCOFA	1240	1235	1200	1165	1100	942	852	764	636	546	486	362	308	167

#### 1.83 Vpc – Discharge in A at 20 °C

Type	Part number	3 min	10 min	15 min	20 min	30 min	1 h	1.5 h	2 h	3 h	4h	5 h	8 h	10 h	20 h
2 OPzS 100	NVZS020100WCOFA	104	101	93.0	86.9	76.8	57.5	47.4	39.9	31.2	25.4	21.6	14.9	12.5	6.70
3 OPzS 150	NVZS020150WCOFA	134	130	120	110	97.4	74.3	61.3	52.2	40.8	33.2	28.2	19.6	16.4	8.90
4 OPzS 200	NVZS020200WCOFA	171	166	153	143	126	94.7	78.0	66.4	52.0	42.4	36.0	25.0	20.9	11.3
5 OPzS 250	NVZS020250WCOFA	207	201	185	173	154	116	95.7	81.9	63.7	52.0	44.3	30.8	25.9	14.0
6 OPzS 300	NVZS020300WCOFA	241	231	215	201	180	136	113	97.3	75.2	61.4	52.5	36.5	30.9	16.7
5 OPzS 350	NVZS020350WCOFA	238	232	221	213	194	158	131	113	87.9	72.6	62.5	44.5	37.1	20.3
6 OPzS 420	NVZS020420WCOFA	272	265	255	245	225	183	154	133	105	86.8	74.8	53.2	44.4	24.3
7 OPzS 490	NVZS020490WCOFA	310	303	291	280	257	209	178	154	123	102	87.1	62.0	51.7	28.4
6 OPzS 600	NVZS020600WCOFA	347	341	325	312	289	245	211	187	147	123	107	77.8	66.4	36.4
7 OPzS 700	NVZS020700WCOFA	382	376	359	344	319	270	233	206	162	135	118	85.8	73.2	40.1
8 OPzS 800	NVZS020800WCOFA	505	493	464	443	407	342	292	255	199	166	145	105	88.8	48.7
9 OPzS 900	NVZS020900WCOFA	540	531	500	477	438	368	315	275	214	179	157	113	95.6	52.4
10 OPzS 1000	NVZS021000WCOFA	605	595	563	539	497	420	360	317	248	207	180	131	111	61.0
12 OPzS 1200	NVZS021200WCOFA	698	686	655	629	583	494	426	376	295	247	215	157	134	73.3
12 OPzS 1500	NVZS021500WCOFA	673	668	652	633	602	513	465	418	343	292	258	191	162	88.3
14 OPzS 1750	NVZS021750WCOFA	713	708	691	671	638	543	493	442	364	310	274	201	172	93.4
16 OPzS 2000	NVZS022000WCOFA	973	966	934	904	850	708	634	562	454	387	342	252	214	116
18 OPzS 2250	NVZS022250WCOFA	1015	1010	982	951	894	752	677	602	495	421	373	275	233	127
20 OPzS 2500	NVZS022500WCOFA	1205	1200	1165	1125	1060	881	790	700	566	482	426	313	267	145
22 OPzS 2750	NVZS022750WCOFA	1295	1285	1245	1205	1135	944	846	750	606	516	457	336	286	156
24 OPzS 3000	NVZS023000WCOFA	1390	1380	1345	1300	1220	1030	924	825	675	575	510	375	319	174

## Classic OPzS

### Constant current discharge · OPzS cells

#### 1.80 Vpc – Discharge in A at 20 °C

Type	Part number	3 min	10 min	15 min	20 min	30 min	1 h	1.5 h	2 h	3 h	4h	5 h	8 h	10 h	20 h
2 OPzS 100	NVZS020100WC0FA	122	116	106	97.7	84.8	61.5	50.1	42.0	32.8	26.6	22.6	15.3	12.8	7.00
3 OPzS 150	NVZS020150WC0FA	155	148	135	124	107	79.2	64.8	54.9	42.9	34.8	29.5	20.1	16.8	9.20
4 OPzS 200	NVZS020200WC0FA	199	190	174	161	140	101	82.5	69.9	54.6	44.4	37.6	25.6	21.4	11.8
5 OPzS 250	NVZS020250WC0FA	241	230	211	195	170	124	101	86.3	66.9	54.5	46.3	31.6	26.5	14.6
6 OPzS 300	NVZS020300WC0FA	281	268	245	227	199	146	120	103	79.0	64.3	54.9	37.4	31.6	17.4
5 OPzS 350	NVZS020350WC0FA	273	264	251	240	216	172	141	120	93.1	76.2	65.0	45.6	38.0	20.9
6 OPzS 420	NVZS020420WC0FA	314	303	289	277	252	200	166	142	111	90.9	77.8	54.6	45.5	25.0
7 OPzS 490	NVZS020490WC0FA	358	346	330	316	287	229	192	164	130	106	90.6	63.6	53.0	29.2
6 OPzS 600	NVZS020600WC0FA	398	388	368	352	325	271	232	202	156	129	112	80.2	68.0	37.4
7 OPzS 700	NVZS020700WC0FA	439	428	406	389	359	299	256	223	173	144	123	88.5	75.0	41.3
8 OPzS 800	NVZS020800WC0FA	572	564	528	501	457	378	319	277	211	175	152	108	91.0	50.1
9 OPzS 900	NVZS020900WC0FA	623	608	568	539	492	407	343	298	227	188	164	117	98.0	53.9
10 OPzS 1000	NVZS021000WC0FA	695	678	639	609	559	464	394	343	263	218	189	135	114	62.7
12 OPzS 1200	NVZS021200WC0FA	800	781	741	710	655	547	467	407	315	261	225	162	137	75.4
12 OPzS 1500	NVZS021500WC0FA	785	777	756	731	690	578	520	462	374	316	277	201	170	93.2
14 OPzS 1750	NVZS021750WC0FA	831	823	801	774	731	612	551	490	396	334	293	212	180	98.6
16 OPzS 2000	NVZS022000WC0FA	1135	1125	1080	1040	974	798	709	622	495	418	367	265	225	123
18 OPzS 2250	NVZS022250WC0FA	1185	1175	1140	1095	1025	848	757	666	539	455	399	289	245	134
20 OPzS 2500	NVZS022500WC0FA	1390	1375	1345	1300	1210	993	884	775	616	520	456	330	280	153
22 OPzS 2750	NVZS022750WC0FA	1510	1495	1445	1390	1300	1065	946	830	660	557	489	354	300	164
24 OPzS 3000	NVZS023000WC0FA	1620	1605	1555	1500	1400	1160	1035	911	737	622	546	395	335	184

#### 1.75 Vpc – Discharge in A at 20 °C

Type	Part number	3 min	10 min	15 min	20 min	30 min	1 h	1.5 h	2 h	3 h	4h	5 h	8 h	10 h	20 h
2 OPzS 100	NVZS020100WC0FA	147	137	125	113	96.1	66.4	52.9	44.2	34.3	27.7	23.5	15.9	13.1	7.20
3 OPzS 150	NVZS020150WC0FA	188	175	158	144	122	85.3	68.5	57.8	44.9	36.4	30.7	21.0	17.3	9.50
4 OPzS 200	NVZS020200WC0FA	243	226	205	186	158	109	87.2	73.5	57.1	46.3	39.1	26.7	22.1	12.1
5 OPzS 250	NVZS020250WC0FA	294	274	249	225	193	134	107	90.8	70.0	56.8	48.1	32.9	27.3	15.0
6 OPzS 300	NVZS020300WC0FA	343	319	290	263	226	158	127	108	82.6	67.0	57.1	39.0	32.6	17.8
5 OPzS 350	NVZS020350WC0FA	333	316	296	281	247	190	153	129	97.3	79.7	68.0	47.1	39.1	21.5
6 OPzS 420	NVZS020420WC0FA	383	364	341	323	288	221	180	152	116	95.0	81.4	56.4	46.9	25.7
7 OPzS 490	NVZS020490WC0FA	438	416	390	369	328	252	207	176	136	111	94.9	65.7	54.6	29.9
6 OPzS 600	NVZS020600WC0FA	480	462	437	416	381	306	258	220	167	136	116	83.0	70.0	38.4
7 OPzS 700	NVZS020700WC0FA	530	510	482	459	420	338	285	242	184	150	128	91.5	77.3	42.4
8 OPzS 800	NVZS020800WC0FA	703	677	630	592	534	430	353	303	226	184	157	112	92.8	51.4
9 OPzS 900	NVZS020900WC0FA	758	730	678	637	575	463	380	326	243	198	170	121	100	55.4
10 OPzS 1000	NVZS021000WC0FA	843	812	761	719	654	526	438	374	281	229	196	140	117	64.4
12 OPzS 1200	NVZS021200WC0FA	968	932	881	838	767	617	521	443	336	273	233	167	141	77.4
12 OPzS 1500	NVZS021500WC0FA	966	952	923	884	824	676	598	524	413	346	301	212	178	97.4
14 OPzS 1750	NVZS021750WC0FA	1025	1010	977	936	873	716	634	554	437	366	319	225	188	103
16 OPzS 2000	NVZS022000WC0FA	1395	1375	1320	1260	1165	933	817	705	547	458	398	281	235	129
18 OPzS 2250	NVZS022250WC0FA	1460	1440	1390	1325	1225	993	871	755	595	498	434	306	256	141
20 OPzS 2500	NVZS022500WC0FA	1735	1710	1645	1565	1450	1165	1015	877	680	569	496	350	293	161
22 OPzS 2750	NVZS022750WC0FA	1855	1830	1765	1680	1550	1245	1090	940	729	610	531	375	313	172
24 OPzS 3000	NVZS023000WC0FA	2000	1970	1900	1810	1675	1360	1190	1030	814	681	593	419	350	192

## Classic OPzS

### Constant current discharge · OPzS cells

#### 1.70 Vpc – Discharge in A at 20 °C

Type	Part number	3 min	10 min	15 min	20 min	30 min	1 h	1.5 h	2 h	3 h	4h	5 h	8 h	10 h	20 h
2 OPzS 100	NVZS020100WC0FA	173	157	139	125	105	69.7	54.8	45.2	35.2	28.3	23.9	16.0	13.3	7.30
3 OPzS 150	NVZS020150WC0FA	220	200	177	160	134	89.4	71.0	59.1	46.0	37.0	31.2	21.1	17.5	9.60
4 OPzS 200	NVZS020200WC0FA	284	258	229	206	172	115	90.3	75.2	58.6	47.3	39.7	26.9	22.3	12.2
5 OPzS 250	NVZS020250WC0FA	344	313	278	250	210	141	111	93.0	71.8	57.9	48.9	33.1	27.6	15.1
6 OPzS 300	NVZS020300WC0FA	403	366	325	292	247	166	132	111	84.8	68.4	58.0	39.3	32.9	18.0
5 OPzS 350	NVZS020350WC0FA	394	368	339	316	274	202	161	134	100	81.4	69.5	47.1	39.9	22.0
6 OPzS 420	NVZS020420WC0FA	453	423	390	364	319	235	189	158	120	97.7	83.3	57.8	47.8	26.4
7 OPzS 490	NVZS020490WC0FA	517	483	446	416	364	269	218	183	140	114	97.0	67.3	55.7	30.7
6 OPzS 600	NVZS020600WC0FA	562	535	507	479	433	337	279	233	173	139	118	84.3	70.7	39.1
7 OPzS 700	NVZS020700WC0FA	619	590	559	528	478	371	308	257	191	154	130	93.0	78.0	43.1
8 OPzS 800	NVZS020800WC0FA	824	785	728	678	606	471	379	322	237	190	160	114	94.6	52.3
9 OPzS 900	NVZS020900WC0FA	888	846	784	730	653	508	409	347	255	204	172	123	102	56.4
10 OPzS 1000	NVZS021000WC0FA	988	941	881	826	743	577	471	397	294	237	199	142	119	65.6
12 OPzS 1200	NVZS021200WC0FA	1135	1080	1020	964	873	678	562	469	349	281	237	170	142	78.8
12 OPzS 1500	NVZS021500WC0FA	1145	1125	1085	1030	950	768	665	573	442	367	318	219	182	100
14 OPzS 1750	NVZS021750WC0FA	1215	1190	1150	1090	1005	814	704	607	468	389	337	232	193	106
16 OPzS 2000	NVZS022000WC0FA	1655	1625	1555	1470	1345	1060	907	771	585	486	421	290	241	132
18 OPzS 2250	NVZS022250WC0FA	1735	1700	1635	1545	1410	1125	968	826	637	529	458	316	262	144
20 OPzS 2500	NVZS022500WC0FA	2060	2020	1930	1830	1670	1320	1130	960	728	605	524	361	300	165
22 OPzS 2750	NVZS022750WC0FA	2205	2165	2070	1960	1785	1415	1210	1025	780	648	561	387	321	176
24 OPzS 3000	NVZS023000WC0FA	2375	2330	2230	2115	1930	1540	1325	1130	871	723	626	432	358	197

#### 1.65 Vpc – Discharge in A at 20 °C

Type	Part number	3 min	10 min	15 min	20 min	30 min	1 h	1.5 h	2 h	3 h	4h	5 h	8 h	10 h	20 h
2 OPzS 100	NVZS020100WC0FA	196	174	151	135	111	71.8	55.8	46.4	35.7	28.6	24.1	16.0	13.3	7.30
3 OPzS 150	NVZS020150WC0FA	249	221	194	172	142	91.7	72.3	60.1	46.7	37.5	31.5	21.1	17.5	9.60
4 OPzS 200	NVZS020200WC0FA	322	286	249	222	182	118	92.0	76.4	59.4	47.7	40.1	26.9	22.3	12.2
5 OPzS 250	NVZS020250WC0FA	392	348	303	270	222	145	113	94.6	72.8	58.6	49.4	33.1	27.6	15.1
6 OPzS 300	NVZS020300WC0FA	458	407	355	315	261	171	134	113	86.0	69.3	58.6	39.3	32.9	18.0
5 OPzS 350	NVZS020350WC0FA	454	417	379	349	297	211	167	137	103	82.9	69.9	47.1	39.9	22.0
6 OPzS 420	NVZS020420WC0FA	522	480	437	402	346	246	196	162	123	99.1	83.7	57.8	47.8	26.4
7 OPzS 490	NVZS020490WC0FA	596	548	499	459	395	280	226	187	143	115	97.5	67.3	55.7	30.7
6 OPzS 600	NVZS020600WC0FA	643	605	576	541	482	364	294	243	177	141	119	86.4	71.4	39.4
7 OPzS 700	NVZS020700WC0FA	710	668	635	596	532	401	324	269	196	156	131	95.3	78.8	43.5
8 OPzS 800	NVZS020800WC0FA	945	890	824	760	673	502	399	335	244	194	162	116	95.6	52.8
9 OPzS 900	NVZS020900WC0FA	1015	958	887	818	725	541	430	361	263	209	174	124	103	56.8
10 OPzS 1000	NVZS021000WC0FA	1130	1065	999	929	826	620	496	414	302	241	201	145	120	66.1
12 OPzS 1200	NVZS021200WC0FA	1295	1220	1160	1090	971	733	592	490	358	286	240	174	144	79.5
12 OPzS 1500	NVZS021500WC0FA	1330	1300	1240	1175	1070	853	721	612	462	382	330	223	184	101
14 OPzS 1750	NVZS021750WC0FA	1410	1375	1315	1245	1135	904	763	648	490	405	349	236	194	107
16 OPzS 2000	NVZS022000WC0FA	1920	1875	1775	1675	1510	1180	984	824	612	506	436	295	243	133
18 OPzS 2250	NVZS022250WC0FA	2015	1965	1870	1765	1590	1250	1050	882	666	550	475	321	265	145
20 OPzS 2500	NVZS022500WC0FA	2390	2335	2215	2090	1885	1465	1220	1025	762	630	543	367	302	166
22 OPzS 2750	NVZS022750WC0FA	2555	2495	2370	2235	2015	1570	1310	1100	815	674	582	393	324	178
24 OPzS 3000	NVZS023000WC0FA	2755	2690	2555	2415	2175	1710	1435	1205	911	753	650	439	362	199

## Classic OPzS

### Constant current discharge · OPzS cells

#### 1.60 Vpc – Discharge in A at 20 °C

Type	Part number	3 min	10 min	15 min	20 min	30 min	1 h	1.5 h	2 h	3 h	4h	5 h	8 h	10 h	20 h
2 OPzS 100	NVZS020100WC0FA	216	188	162	143	116	73.3	56.4	46.5	36.0	29.4	24.0	16.0	13.3	7.30
3 OPzS 150	NVZS020150WC0FA	275	239	207	182	147	93.4	72.9	60.7	47.0	37.3	31.4	21.1	17.5	9.60
4 OPzS 200	NVZS020200WC0FA	355	309	267	235	190	121	92.8	77.3	59.9	47.6	39.9	26.9	22.3	12.2
5 OPzS 250	NVZS020250WC0FA	434	377	325	286	232	148	114	95.7	73.4	58.3	49.2	33.1	27.6	15.1
6 OPzS 300	NVZS020300WC0FA	508	442	381	335	272	176	136	114	86.6	68.8	58.3	39.3	32.9	18.0
5 OPzS 350	NVZS020350WC0FA	515	466	418	377	319	217	171	139	105	83.4	69.2	47.1	39.9	22.0
6 OPzS 420	NVZS020420WC0FA	592	536	481	435	370	253	200	165	125	99.3	82.8	57.8	47.8	26.4
7 OPzS 490	NVZS020490WC0FA	676	612	549	496	423	288	231	190	146	116	96.5	67.3	55.7	30.7
6 OPzS 600	NVZS020600WC0FA	723	673	645	602	528	388	305	252	179	142	119	86.4	71.4	39.4
7 OPzS 700	NVZS020700WC0FA	799	743	712	665	583	428	336	278	197	156	131	95.3	78.8	43.5
8 OPzS 800	NVZS020800WC0FA	1065	992	917	837	737	524	416	342	248	195	162	116	95.6	52.8
9 OPzS 900	NVZS020900WC0FA	1150	1070	988	902	794	564	448	368	267	211	174	124	103	56.8
10 OPzS 1000	NVZS021000WC0FA	1270	1185	1115	1030	905	653	516	426	305	242	201	145	120	66.1
12 OPzS 1200	NVZS021200WC0FA	1455	1355	1300	1215	1065	781	614	508	360	286	240	174	144	79.5
12 OPzS 1500	NVZS021500WC0FA	1515	1470	1395	1320	1190	933	767	642	476	391	337	224	184	101
14 OPzS 1750	NVZS021750WC0FA	1605	1560	1475	1395	1260	988	812	680	504	414	356	238	194	107
16 OPzS 2000	NVZS022000WC0FA	2185	2125	1995	1880	1680	1290	1045	864	630	518	445	297	243	133
18 OPzS 2250	NVZS022250WC0FA	2290	2225	2100	1975	1765	1370	1115	926	686	564	485	323	265	145
20 OPzS 2500	NVZS022500WC0FA	2725	2645	2485	2340	2090	1600	1305	1080	784	645	554	370	302	166
22 OPzS 2750	NVZS022750WC0FA	2920	2835	2660	2510	2240	1715	1395	1155	840	690	594	396	324	178
24 OPzS 3000	NVZS023000WC0FA	3135	3045	2870	2705	2415	1875	1525	1265	938	771	663	442	362	199



## Classic OPzS

### Constant power discharge · OPzS cells

#### 1.90 Vpc – Discharge in W at 20 °C

Type	Part number	3 min	10 min	15 min	20 min	30 min	1 h	1.5 h	2 h	3 h	4h	5 h	8 h	10 h	20 h
2 OPzS 100	NVZS020100WCOFA	126	126	120	113	107	87.9	74.3	64.0	50.8	42.1	36.6	26.4	21.5	12.0
3 OPzS 150	NVZS020150WCOFA	163	163	156	147	138	114	96.2	83.7	66.4	55.4	47.9	34.8	28.4	15.8
4 OPzS 200	NVZS020200WCOFA	207	207	198	187	176	145	122	106	84.5	70.4	60.9	44.3	36.1	20.1
5 OPzS 250	NVZS020250WCOFA	249	249	239	225	214	176	150	131	104	86.4	75.1	54.6	44.7	24.9
6 OPzS 300	NVZS020300WCOFA	288	288	277	262	250	207	177	156	122	102	89.1	64.8	53.3	29.7
5 OPzS 350	NVZS020350WCOFA	290	290	281	276	255	222	194	171	142	119	104	76.5	63.9	36.4
6 OPzS 420	NVZS020420WCOFA	334	334	323	317	296	258	228	202	170	142	125	91.6	76.5	43.6
7 OPzS 490	NVZS020490WCOFA	381	381	369	362	338	295	263	234	198	166	146	107	89.1	50.8
6 OPzS 600	NVZS020600WCOFA	434	434	426	410	384	336	301	274	227	197	179	134	114	65.1
7 OPzS 700	NVZS020700WCOFA	479	479	469	453	424	371	331	302	251	218	197	148	126	71.8
8 OPzS 800	NVZS020800WCOFA	614	614	594	582	540	478	418	375	310	269	243	180	153	87.1
9 OPzS 900	NVZS020900WCOFA	661	661	639	627	582	515	450	404	334	290	261	193	165	93.8
10 OPzS 1000	NVZS021000WCOFA	748	748	729	709	660	582	514	464	385	335	302	225	192	109
12 OPzS 1200	NVZS021200WCOFA	874	874	857	827	774	678	605	551	458	400	360	270	230	131
12 OPzS 1500	NVZS021500WCOFA	775	775	764	749	728	655	615	570	496	441	403	306	268	143
14 OPzS 1750	NVZS021750WCOFA	821	821	809	813	772	695	645	605	525	466	428	325	284	151
16 OPzS 2000	NVZS022000WCOFA	1120	1120	1095	1070	1030	905	836	770	656	584	533	406	355	189
18 OPzS 2250	NVZS022250WCOFA	1170	1170	1150	1125	1080	965	890	824	714	635	582	441	386	206
20 OPzS 2500	NVZS022500WCOFA	1390	1390	1360	1330	1280	1140	1040	956	816	726	665	506	441	236
22 OPzS 2750	NVZS022750WCOFA	1490	1490	1455	1425	1370	1205	1115	1025	874	778	712	541	473	252
24 OPzS 3000	NVZS023000WCOFA	1605	1605	1575	1535	1480	1315	1220	1125	977	869	795	604	528	282

#### 1.87 Vpc – Discharge in W at 20 °C

Type	Part number	3 min	10 min	15 min	20 min	30 min	1 h	1.5 h	2 h	3 h	4h	5 h	8 h	10 h	20 h
2 OPzS 100	NVZS020100WCOFA	154	152	143	135	123	97.2	81.5	69.5	55.0	45.4	39.1	27.7	23.0	12.6
3 OPzS 150	NVZS020150WCOFA	198	197	185	172	157	126	105	90.9	71.9	59.4	51.0	36.6	30.4	16.6
4 OPzS 200	NVZS020200WCOFA	252	250	235	222	203	160	134	116	91.5	75.6	65.0	46.5	38.6	21.1
5 OPzS 250	NVZS020250WCOFA	304	302	284	268	246	195	165	143	112	92.9	80.0	57.3	47.8	26.2
6 OPzS 300	NVZS020300WCOFA	353	350	329	311	288	230	194	169	132	109	94.9	68.0	57.0	31.2
5 OPzS 350	NVZS020350WCOFA	355	351	338	328	303	256	219	191	154	128	113	81.8	68.4	38.3
6 OPzS 420	NVZS020420WCOFA	404	402	389	378	352	298	257	226	184	154	135	98.0	81.9	45.8
7 OPzS 490	NVZS020490WCOFA	462	458	444	431	401	340	297	261	214	179	157	114	95.4	53.4
6 OPzS 600	NVZS020600WCOFA	521	519	502	484	452	392	345	311	252	215	192	143	122	68.5
7 OPzS 700	NVZS020700WCOFA	574	572	553	534	498	433	381	343	278	238	212	158	135	75.5
8 OPzS 800	NVZS020800WCOFA	753	743	710	687	635	551	480	425	343	294	261	192	164	91.6
9 OPzS 900	NVZS020900WCOFA	804	800	764	739	684	593	516	458	370	317	281	207	176	98.7
10 OPzS 1000	NVZS021000WCOFA	905	899	865	836	777	674	590	527	426	364	324	240	205	115
12 OPzS 1200	NVZS021200WCOFA	1050	1045	1010	976	910	790	695	627	508	435	386	288	247	138
12 OPzS 1500	NVZS021500WCOFA	976	974	956	931	838	788	726	665	566	492	443	336	290	158
14 OPzS 1750	NVZS021750WCOFA	1030	1030	1010	995	889	835	769	703	598	521	472	356	308	167
16 OPzS 2000	NVZS022000WCOFA	1410	1405	1365	1330	1185	1085	990	894	745	649	587	445	384	208
18 OPzS 2250	NVZS022250WCOFA	1480	1475	1440	1400	1245	1155	1055	958	813	708	641	484	417	228
20 OPzS 2500	NVZS022500WCOFA	1755	1750	1700	1665	1365	1355	1235	1115	930	810	731	552	478	261
22 OPzS 2750	NVZS022750WCOFA	1885	1880	1825	1775	1580	1450	1320	1195	996	867	783	593	514	279
24 OPzS 3000	NVZS023000WCOFA	2020	2010	1965	1905	1700	1580	1445	1310	1110	969	876	661	572	311

## Classic OPzS

### Constant power discharge · OPzS cells

#### 1.85 Vpc – Discharge in W at 20 °C

Type	Part number	3 min	10 min	15 min	20 min	30 min	1 h	1.5 h	2 h	3 h	4h	5 h	8 h	10 h	20 h
2 OPzS 100	NVZS020100WC0FA	172	170	158	149	134	103	86.2	73.2	57.8	47.5	40.7	28.6	24.0	13.0
3 OPzS 150	NVZS020150WC0FA	223	219	205	189	170	134	112	95.7	75.5	62.1	53.1	37.7	31.7	17.2
4 OPzS 200	NVZS020200WC0FA	283	279	260	245	220	170	142	122	96.1	79.1	67.6	48.0	40.3	21.8
5 OPzS 250	NVZS020250WC0FA	342	337	313	296	268	208	174	150	118	97.1	83.3	59.1	49.9	27.0
6 OPzS 300	NVZS020300WC0FA	397	391	364	345	313	244	206	178	139	114	98.8	70.2	59.5	32.2
5 OPzS 350	NVZS020350WC0FA	397	392	376	363	334	279	236	204	162	135	118	85.4	71.5	39.5
6 OPzS 420	NVZS020420WC0FA	451	447	433	418	389	324	277	242	193	162	141	102	85.6	47.3
7 OPzS 490	NVZS020490WC0FA	516	510	494	477	444	370	319	279	225	189	165	119	99.7	55.1
6 OPzS 600	NVZS020600WC0FA	579	575	553	533	497	430	375	336	268	227	201	149	128	70.7
7 OPzS 700	NVZS020700WC0FA	638	635	610	588	548	474	413	371	296	250	221	164	141	78.0
8 OPzS 800	NVZS020800WC0FA	845	829	787	756	699	599	521	459	366	310	274	201	171	94.6
9 OPzS 900	NVZS020900WC0FA	899	893	848	814	753	645	561	494	394	333	295	216	184	102
10 OPzS 1000	NVZS021000WC0FA	1010	1000	956	921	854	735	640	569	454	383	339	251	214	119
12 OPzS 1200	NVZS021200WC0FA	1170	1160	1115	1075	1000	866	755	677	540	456	404	300	258	142
12 OPzS 1500	NVZS021500WC0FA	1110	1105	1080	1055	1010	875	801	728	612	526	471	356	304	167
14 OPzS 1750	NVZS021750WC0FA	1175	1170	1145	1115	1070	927	850	770	648	557	500	375	324	177
16 OPzS 2000	NVZS022000WC0FA	1600	1595	1550	1505	1430	1210	1095	980	809	695	624	470	404	221
18 OPzS 2250	NVZS022250WC0FA	1675	1670	1630	1580	1505	1285	1165	1050	881	758	680	513	439	240
20 OPzS 2500	NVZS022500WC0FA	1990	1980	1930	1875	1780	1505	1365	1220	1010	866	777	584	503	276
22 OPzS 2750	NVZS022750WC0FA	2140	2130	2070	2005	1905	1610	1460	1305	1080	929	833	627	538	295
24 OPzS 3000	NVZS023000WC0FA	2295	2285	2225	2165	2045	1755	1595	1435	1205	1035	931	700	601	329

#### 1.83 Vpc – Discharge in W at 20 °C

Type	Part number	3 min	10 min	15 min	20 min	30 min	1 h	1.5 h	2 h	3 h	4h	5 h	8 h	10 h	20 h
2 OPzS 100	NVZS020100WC0FA	190	186	172	161	142	108	89.2	75.6	59.6	48.8	41.8	29.0	24.3	13.3
3 OPzS 150	NVZS020150WC0FA	245	239	221	204	181	139	115	98.7	77.8	63.7	54.6	38.3	32.1	17.6
4 OPzS 200	NVZS020200WC0FA	313	306	283	264	235	177	147	126	99.1	81.4	69.5	48.7	40.9	22.4
5 OPzS 250	NVZS020250WC0FA	380	369	342	320	285	217	180	155	121	99.8	85.6	60.0	50.6	27.7
6 OPzS 300	NVZS020300WC0FA	442	429	397	372	334	255	213	184	143	118	102	71.2	60.3	33.0
5 OPzS 350	NVZS020350WC0FA	435	427	408	393	359	295	247	213	167	139	121	86.6	72.4	40.2
6 OPzS 420	NVZS020420WC0FA	497	488	470	453	418	343	290	252	201	167	145	104	86.7	48.1
7 OPzS 490	NVZS020490WC0FA	567	557	536	517	477	392	335	291	234	196	168	121	101	56.0
6 OPzS 600	NVZS020600WC0FA	635	627	600	577	536	459	398	354	280	235	206	152	130	71.9
7 OPzS 700	NVZS020700WC0FA	699	691	661	636	592	506	439	390	308	258	227	167	143	79.3
8 OPzS 800	NVZS020800WC0FA	918	908	857	819	754	639	551	483	380	318	281	205	173	96.2
9 OPzS 900	NVZS020900WC0FA	988	978	923	882	812	689	593	520	409	343	303	220	187	104
10 OPzS 1000	NVZS021000WC0FA	1105	1095	1040	996	922	785	679	599	472	396	349	255	217	121
12 OPzS 1200	NVZS021200WC0FA	1275	1265	1210	1165	1080	925	802	712	563	473	415	305	261	145
12 OPzS 1500	NVZS021500WC0FA	1225	1220	1195	1165	1110	949	863	778	647	552	491	368	314	173
14 OPzS 1750	NVZS021750WC0FA	1300	1295	1270	1235	1175	1005	915	823	686	586	522	387	334	183
16 OPzS 2000	NVZS022000WC0FA	1780	1770	1715	1665	1570	1310	1175	1045	856	731	651	485	415	227
18 OPzS 2250	NVZS022250WC0FA	1860	1850	1800	1750	1650	1390	1255	1120	933	796	711	529	452	249
20 OPzS 2500	NVZS022500WC0FA	2205	2195	2140	2070	1955	1630	1465	1305	1066	911	812	603	518	284
22 OPzS 2750	NVZS022750WC0FA	2365	2350	2285	2215	2095	1745	1570	1395	1140	975	871	647	555	306
24 OPzS 3000	NVZS023000WC0FA	2540	2525	2470	2390	2250	1905	1715	1535	1270	1085	972	722	619	341

## Classic OPzS

### Constant power discharge · OPzS cells

#### 1.80 Vpc – Discharge in W at 20 °C

Type	Part number	3 min	10 min	15 min	20 min	30 min	1 h	1.5 h	2 h	3 h	4h	5 h	8 h	10 h	20 h
2 OPzS 100	NVZS020100WCOFA	220	210	193	178	155	114	93.7	79.0	62.2	50.8	43.5	29.6	24.8	13.8
3 OPzS 150	NVZS020150WCOFA	279	268	245	226	197	147	121	103	81.3	66.5	56.8	39.1	32.7	18.2
4 OPzS 200	NVZS020200WCOFA	359	346	317	294	256	188	154	131	103	84.8	72.3	49.7	41.7	23.2
5 OPzS 250	NVZS020250WCOFA	435	418	384	355	311	229	190	162	127	104	89.1	61.2	51.6	28.7
6 OPzS 300	NVZS020300WCOFA	507	486	447	414	365	270	224	193	150	123	106	72.6	61.5	34.2
5 OPzS 350	NVZS020350WCOFA	492	479	457	439	397	319	265	226	176	145	125	88.5	73.9	41.2
6 OPzS 420	NVZS020420WCOFA	566	550	526	505	461	371	311	268	211	174	150	106	88.5	49.3
7 OPzS 490	NVZS020490WCOFA	646	628	601	576	526	424	358	309	246	203	174	123	103	57.4
6 OPzS 600	NVZS020600WCOFA	718	703	670	643	596	503	434	380	296	246	215	156	132	73.7
7 OPzS 700	NVZS020700WCOFA	792	776	739	709	657	555	478	419	327	274	237	172	146	81.3
8 OPzS 800	NVZS020800WCOFA	1040	1025	961	913	837	700	596	520	400	333	292	210	177	98.6
9 OPzS 900	NVZS020900WCOFA	1120	1105	1035	984	902	754	641	560	431	358	315	226	191	106
10 OPzS 1000	NVZS021000WCOFA	1250	1230	1165	1110	1025	860	737	644	499	415	363	262	222	124
12 OPzS 1200	NVZS021200WCOFA	1440	1415	1350	1295	1200	1015	874	765	597	497	432	314	266	148
12 OPzS 1500	NVZS021500WCOFA	1410	1400	1370	1330	1260	1060	957	854	699	594	525	385	328	182
14 OPzS 1750	NVZS021750WCOFA	1495	1485	1450	1410	1335	1120	1015	905	740	628	555	406	347	192
16 OPzS 2000	NVZS022000WCOFA	2040	2030	1955	1895	1780	1460	1305	1150	926	786	695	507	434	240
18 OPzS 2250	NVZS022250WCOFA	2130	2120	2065	1995	1870	1550	1395	1230	1010	855	756	553	473	261
20 OPzS 2500	NVZS022500WCOFA	2495	2480	2435	2365	2210	1815	1625	1430	1150	978	864	632	540	298
22 OPzS 2750	NVZS022750WCOFA	2715	2700	2615	2530	2370	1950	1740	1535	1235	1045	927	678	579	320
24 OPzS 3000	NVZS023000WCOFA	2915	2895	2815	2730	2555	2125	1905	1685	1380	1170	1035	756	647	359

#### 1.75 Vpc – Discharge in W at 20 °C

Type	Part number	3 min	10 min	15 min	20 min	30 min	1 h	1.5 h	2 h	3 h	4h	5 h	8 h	10 h	20 h
2 OPzS 100	NVZS020100WCOFA	258	243	222	201	173	122	98.0	82.5	64.7	52.5	44.9	30.7	25.5	14.1
3 OPzS 150	NVZS020150WCOFA	330	310	280	256	219	156	127	108	84.6	69.0	58.7	40.5	33.6	18.6
4 OPzS 200	NVZS020200WCOFA	427	401	365	332	285	200	161	137	108	87.7	74.7	51.6	42.8	23.7
5 OPzS 250	NVZS020250WCOFA	517	485	442	402	347	245	198	170	132	108	92.1	63.5	53.0	29.3
6 OPzS 300	NVZS020300WCOFA	603	565	516	469	407	289	235	202	156	127	109	75.3	63.1	35.0
5 OPzS 350	NVZS020350WCOFA	586	560	527	501	445	347	284	240	183	151	130	91.1	75.9	42.1
6 OPzS 420	NVZS020420WCOFA	674	644	607	577	517	404	333	285	220	180	156	109	90.9	50.4
7 OPzS 490	NVZS020490WCOFA	770	735	693	658	590	461	384	328	256	210	181	127	106	58.8
6 OPzS 600	NVZS020600WCOFA	842	818	777	743	685	560	479	410	314	257	221	160	136	75.4
7 OPzS 700	NVZS020700WCOFA	930	903	857	819	755	618	528	452	346	283	244	177	150	83.1
8 OPzS 800	NVZS020800WCOFA	1230	1200	1120	1055	960	786	654	566	425	348	301	216	180	101
9 OPzS 900	NVZS020900WCOFA	1330	1290	1205	1135	1035	846	704	609	458	374	324	233	194	109
10 OPzS 1000	NVZS021000WCOFA	1480	1435	1355	1285	1175	962	811	698	530	433	374	270	227	126
12 OPzS 1200	NVZS021200WCOFA	1695	1650	1565	1495	1380	1130	964	826	633	516	446	323	274	152
12 OPzS 1500	NVZS021500WCOFA	1690	1675	1630	1575	1470	1210	1075	951	761	642	565	403	341	189
14 OPzS 1750	NVZS021750WCOFA	1795	1780	1725	1665	1560	1280	1140	1005	805	679	599	427	360	200
16 OPzS 2000	NVZS022000WCOFA	2440	2420	2330	2245	2080	1670	1470	1280	1010	850	747	534	450	250
18 OPzS 2250	NVZS022250WCOFA	2555	2535	2455	2360	2185	1775	1570	1370	1095	924	815	581	490	274
20 OPzS 2500	NVZS022500WCOFA	3035	3010	2905	2786	2590	2085	1825	1590	1255	1055	931	665	561	312
22 OPzS 2750	NVZS022750WCOFA	3245	3220	3115	2990	2765	2230	1960	1705	1345	1130	997	712	599	334
24 OPzS 3000	NVZS023000WCOFA	3500	3465	3355	3220	2990	2435	2140	1870	1500	1260	1115	796	670	372

## Classic OPzS

### Constant power discharge · OPzS cells

#### 1.70 Vpc – Discharge in W at 20 °C

Type	Part number	3 min	10 min	15 min	20 min	30 min	1 h	1.5 h	2 h	3 h	4h	5 h	8 h	10 h	20 h
2 OPzS 100	NVZS020100WC0FA	295	270	242	218	184	126	101	83.8	66.1	53.3	45.4	30.8	25.6	14.2
3 OPzS 150	NVZS020150WC0FA	376	344	308	279	236	162	130	110	86.4	69.7	59.4	40.7	33.8	18.7
4 OPzS 200	NVZS020200WC0FA	485	445	398	359	304	207	166	139	110	89.1	75.6	51.8	43.1	23.8
5 OPzS 250	NVZS020250WC0FA	588	540	483	436	370	254	204	172	135	109	93.1	63.8	53.3	29.5
6 OPzS 300	NVZS020300WC0FA	689	631	564	509	435	300	242	205	159	129	110	75.7	63.6	35.2
5 OPzS 350	NVZS020350WC0FA	673	634	588	552	483	365	295	248	188	153	132	91.9	77.2	43.2
6 OPzS 420	NVZS020420WC0FA	774	730	677	635	562	425	346	294	225	184	159	111	92.4	51.7
7 OPzS 490	NVZS020490WC0FA	884	833	773	725	641	485	400	339	263	215	185	130	108	60.2
6 OPzS 600	NVZS020600WC0FA	961	923	879	835	764	608	512	431	325	262	224	162	137	76.6
7 OPzS 700	NVZS020700WC0FA	1055	1020	969	921	842	670	564	476	359	290	247	179	151	84.4
8 OPzS 800	NVZS020800WC0FA	1405	1355	1265	1185	1070	851	696	598	444	358	305	219	183	102
9 OPzS 900	NVZS020900WC0FA	1515	1460	1360	1275	1150	917	750	644	478	384	328	236	197	110
10 OPzS 1000	NVZS021000WC0FA	1685	1620	1530	1440	1310	1045	865	736	551	447	379	273	229	128
12 OPzS 1200	NVZS021200WC0FA	1940	1860	1770	1685	1540	1225	1030	869	656	530	451	327	276	154
12 OPzS 1500	NVZS021500WC0FA	1950	1930	1865	1785	1660	1350	1175	1025	803	672	590	414	348	193
14 OPzS 1750	NVZS021750WC0FA	2070	2040	1980	1890	1755	1430	1245	1085	850	712	626	438	368	205
16 OPzS 2000	NVZS022000WC0FA	2820	2790	2675	2550	2345	1860	1605	1375	1065	889	792	548	460	255
18 OPzS 2250	NVZS022250WC0FA	2955	2915	2810	2680	2460	1975	1715	1475	1155	968	850	597	500	279
20 OPzS 2500	NVZS022500WC0FA	3510	3465	3320	3175	2915	2315	2000	1715	1325	1105	973	682	573	319
22 OPzS 2750	NVZS022750WC0FA	3760	3715	3560	3400	3115	2485	2140	1830	1415	1185	1040	731	613	341
24 OPzS 3000	NVZS023000WC0FA	4045	3995	3835	3670	3370	2705	2345	2015	1585	1320	1160	816	684	381

#### 1.65 Vpc – Discharge in W at 20 °C

Type	Part number	3 min	10 min	15 min	20 min	30 min	1 h	1.5 h	2 h	3 h	4h	5 h	8 h	10 h	20 h
2 OPzS 100	NVZS020100WC0FA	326	292	257	230	191	128	102	85.5	66.8	53.7	45.8	30.8	25.6	14.2
3 OPzS 150	NVZS020150WC0FA	414	371	329	294	245	163	131	111	87.3	70.5	59.8	40.7	33.8	18.7
4 OPzS 200	NVZS020200WC0FA	536	481	423	379	315	211	167	141	111	89.7	76.1	51.8	43.1	23.8
5 OPzS 250	NVZS020250WC0FA	652	584	514	460	384	259	206	174	136	110	93.8	63.8	53.3	29.5
6 OPzS 300	NVZS020300WC0FA	762	684	601	538	452	306	244	208	161	130	111	75.7	63.6	35.2
5 OPzS 350	NVZS020350WC0FA	755	701	643	595	514	377	303	253	192	156	133	91.9	77.2	43.2
6 OPzS 420	NVZS020420WC0FA	869	807	740	685	598	438	356	299	230	186	159	111	92.4	51.7
7 OPzS 490	NVZS020490WC0FA	992	921	845	782	683	500	410	345	268	216	185	130	108	60.2
6 OPzS 600	NVZS020600WC0FA	1065	1015	976	922	834	648	534	449	332	265	226	166	138	77.1
7 OPzS 700	NVZS020700WC0FA	1175	1120	1075	1015	919	715	589	495	366	293	249	183	152	85.1
8 OPzS 800	NVZS020800WC0FA	1565	1495	1395	1295	1165	895	726	617	456	365	307	222	185	103
9 OPzS 900	NVZS020900WC0FA	1685	1610	1505	1395	1255	964	782	665	491	393	331	239	199	111
10 OPzS 1000	NVZS021000WC0FA	1875	1790	1695	1585	1430	1105	903	763	564	453	382	278	231	129
12 OPzS 1200	NVZS021200WC0FA	2150	2050	1965	1860	1680	1305	1075	904	669	538	455	334	278	155
12 OPzS 1500	NVZS021500WC0FA	2200	2170	2085	1995	1835	1475	1260	1080	832	695	610	419	350	195
14 OPzS 1750	NVZS021750WC0FA	2330	2295	2210	2115	1945	1565	1330	1145	883	737	645	444	369	206
16 OPzS 2000	NVZS022000WC0FA	3175	3130	2980	2845	2590	2040	1715	1455	1105	921	805	555	462	257
18 OPzS 2250	NVZS022250WC0FA	3330	3280	3140	3000	2725	2160	1830	1555	1200	1000	877	603	503	280
20 OPzS 2500	NVZS022500WC0FA	3955	3900	3720	3555	3235	2535	2130	1810	1375	1145	1005	690	574	320
22 OPzS 2750	NVZS022750WC0FA	4225	4165	3980	3800	3455	2715	2285	1940	1470	1225	1075	739	616	343
24 OPzS 3000	NVZS023000WC0FA	4555	4490	4290	4105	3730	2960	2505	2125	1640	1370	1200	825	688	384



## Classic OPzS

### Constant power discharge · OPzS cells

#### 1.60 Vpc – Discharge in W at 20 °C

Type	Part number	3 min	10 min	15 min	20 min	30 min	1 h	1.5 h	2 h	3 h	4h	5 h	8 h	10 h	20 h
2 OPzS 100	NVZS020100WC0FA	350	308	269	239	197	129	102	85.1	67.0	55.3	45.8	30.8	25.6	14.2
3 OPzS 150	NVZS020150WC0FA	445	392	343	304	250	165	131	111	87.6	70.1	59.8	40.7	33.8	18.7
4 OPzS 200	NVZS020200WC0FA	575	507	443	394	324	213	167	141	112	89.5	76.1	51.8	43.1	23.8
5 OPzS 250	NVZS020250WC0FA	703	618	539	479	395	262	206	175	137	110	93.8	63.8	53.3	29.5
6 OPzS 300	NVZS020300WC0FA	822	724	632	561	464	310	244	209	161	129	111	75.7	63.6	35.2
5 OPzS 350	NVZS020350WC0FA	834	763	693	632	543	383	307	254	195	157	133	91.9	77.2	43.2
6 OPzS 420	NVZS020420WC0FA	959	879	797	728	631	445	361	302	233	187	159	111	92.4	51.7
7 OPzS 490	NVZS020490WC0FA	1095	1005	910	831	720	509	416	348	272	218	185	130	108	60.2
6 OPzS 600	NVZS020600WC0FA	1165	1105	1070	1010	900	684	549	462	333	266	226	166	138	77.1
7 OPzS 700	NVZS020700WC0FA	1290	1220	1180	1115	992	754	605	509	367	292	249	183	152	85.1
8 OPzS 800	NVZS020800WC0FA	1720	1625	1520	1400	1255	925	749	626	461	366	307	222	185	103
9 OPzS 900	NVZS020900WC0FA	1855	1750	1640	1510	1350	996	807	675	497	396	331	239	198	111
10 OPzS 1000	NVZS021000WC0FA	2050	1945	1850	1725	1540	1150	930	780	568	454	382	278	231	129
12 OPzS 1200	NVZS021200WC0FA	2350	2225	2150	2035	1815	1380	1105	931	671	536	455	334	278	155
12 OPzS 1500	NVZS021500WC0FA	2435	2390	2290	2200	2005	1590	1325	1120	854	710	619	420	350	195
14 OPzS 1750	NVZS021750WC0FA	2580	2535	2420	2320	2125	1685	1400	1185	905	751	654	446	369	206
16 OPzS 2000	NVZS022000WC0FA	3515	3455	3270	3130	2830	2200	1805	1510	1130	940	817	557	462	257
18 OPzS 2250	NVZS022250WC0FA	3685	3615	3445	3290	2975	2335	1925	1615	1230	1025	890	606	503	280
20 OPzS 2500	NVZS022500WC0FA	4385	4300	4075	3895	3520	2730	2250	1885	1405	1170	1020	694	574	320
22 OPzS 2750	NVZS022750WC0FA	4700	4605	4360	4180	3775	2925	2405	2015	1510	1250	1090	742	616	343
24 OPzS 3000	NVZS023000WC0FA	5045	4950	4705	4505	4070	3195	2630	2205	1685	1400	1220	829	688	384



## Battery Service – Energy Solutions

Keeping your business on the move

### GNB® is the Expert

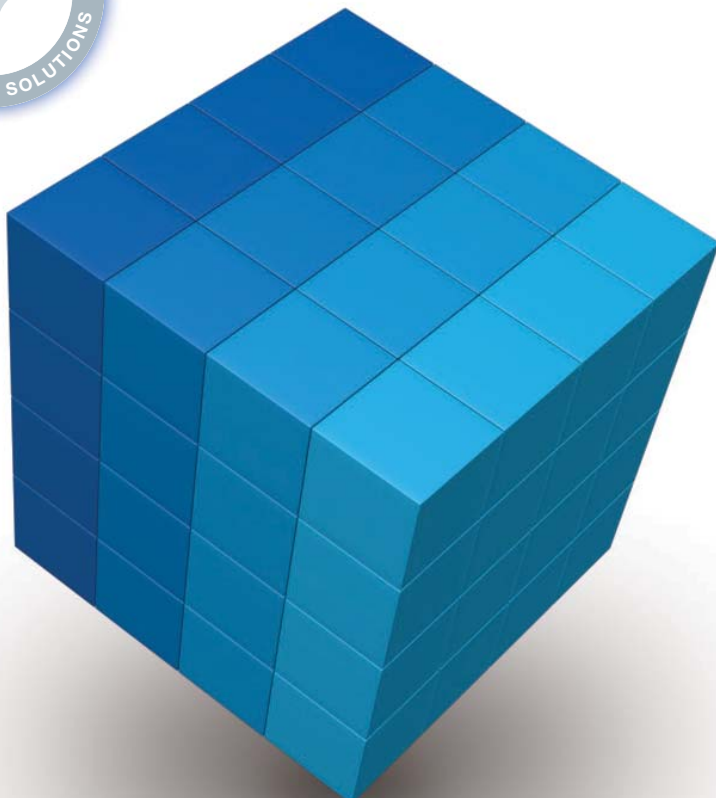
Who could do this job better than the professionals of a company with more than 100 years of experience in battery development, production and application?

Leave the responsibility for the maintenance of your batteries and chargers to the professionals: a GNB service contract provides you with exceptional economic advantages through time savings, cost savings and safety!



### Installation of Batteries and Systems for Network Power

- > Development of complete turnkey solutions from the design concept to installation and commissioning.
- > Installation according to legal and safety regulations including CE certification by approved installation technicians.
- > Training and certification of external installation technicians according to CE regulations.



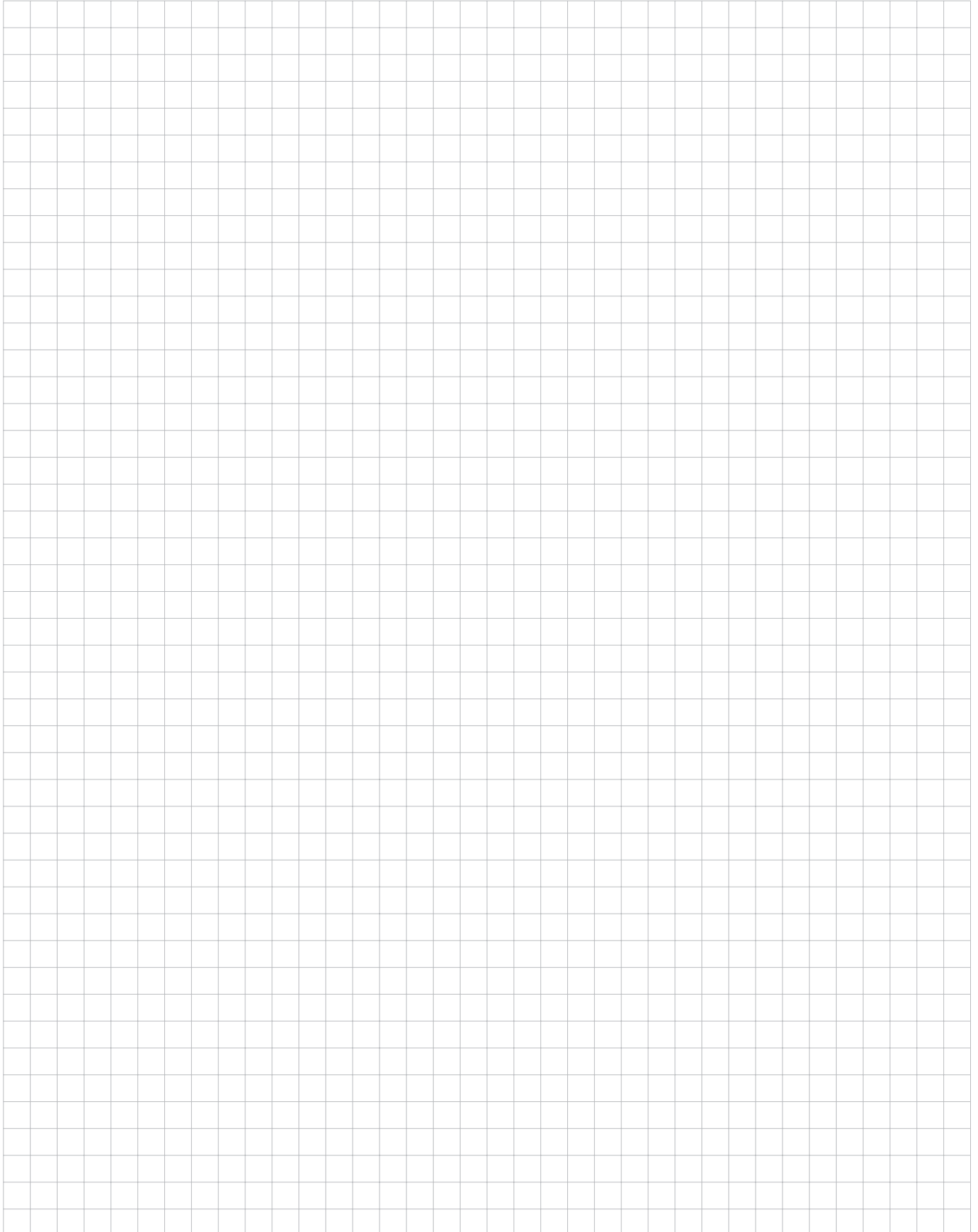
- ✦ Inspection Contract
- ✦ Maintenance Contract
- ✦ Lifetime Warranty Contract
- ✦ Full Service Contract



»GNB Service – individualized, professional and all over Europe!«

## Classic OPzS

### Notes

A large, empty grid of small squares, typical of graph paper, occupying the majority of the page. The grid is composed of thin, light gray lines forming a uniform pattern of squares.



**Exide Technologies**, with operations in more than 80 countries, is one of the world's largest producers and recyclers of lead-acid batteries. Exide Technologies provides a comprehensive and customized range of stored electrical energy solutions. Based on over 120 years of experience in the development of innovative technologies, Exide Technologies is an esteemed partner of OEMs and serves the spare parts market for industrial and automotive applications.

**GNB Industrial Power** – A division of Exide Technologies – offers an extensive range of storage products and services, including solutions for telecommunication systems, railway applications, mining, photovoltaic (solar energy), uninterrupted power supply (UPS), electrical power generation and distribution, fork lifts and electric vehicles.

**Exide Technologies** takes pride in its commitment to a better environment. An integrated approach to manufacturing, distributing and recycling of lead-acid batteries has been developed to ensure a safe and responsible life cycle for all of its products.